

Product dimensions

EI (mm)	Length (m)	Dimensions (h x L) (mm)
60 to 120	1	55 x 110*
60 to 120		60 x 100
180		70 x 100
60 à 180		85 x 120

E = Fire sealing / I = Thermal insulation
 *Only for GEOTEC® ducts

Product description

Consisting mainly of plaster and glass fibre, these pre-moulded elements are intended to protect metal cross-pieces.

Application

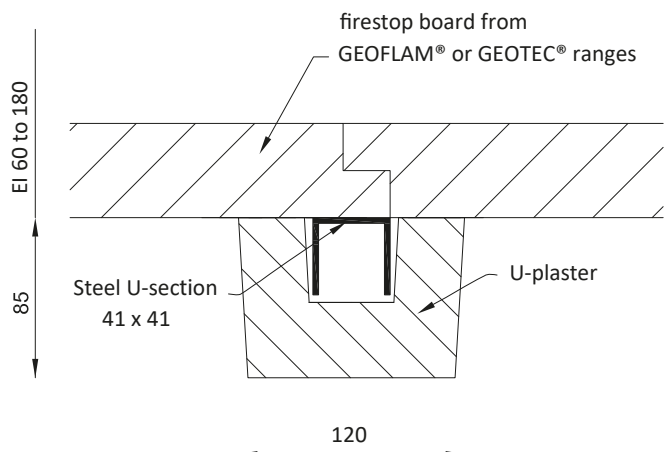
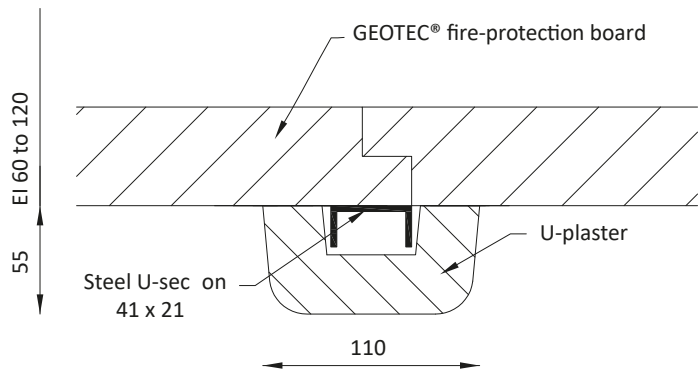
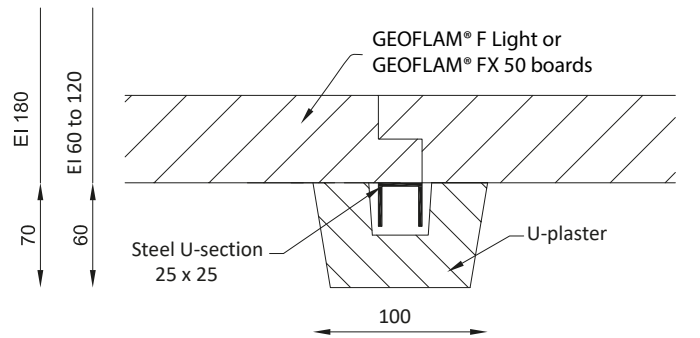
Protection for the metal supports of horizontal **GEOTEC®** and **GEOFLAM®A** ducts, EI 60 to 180 (1 hr to 3 hr fire-break).

Implementation

The U-plaster firestop elements are brought together and bonded. These elements can be cut with a handsaw, sabre saw or circular saw.

Transportation and storage

Transport and store on a flat, protected surface. Keep away from water.



Reaction to fire
A1 classification in accordance with standard EN 13501-1