



Cover strips GEOTEC® A

FIRE RESISTANT ACCESSORIES



Ventilation



Smoke extraction



Fire protection services



Fire-protection up to 2 hours



Silicate-free plaster-based product

FIRE-RESISTANT ACCESSORIES

GEOTEC® A joint covers are pre-moulded elements, mainly composed of plaster and fibreglass. They are intended for reinforcing the junctions of the top boards of GEOTEC® ducts and enclosures (fire protection services).
EI 30 to 120 (30 min to 2 h firewall).

Advantages

- ✓ Silicate-free product
- ✓ Possible application of water-based acrylic paint
- ✓ Easy cutting with a circular saw, sabre saw or handsaw
- ✓ Possible application of a water-repellent treatment that does not modify the fire resistance performance
- ✓ Meets environmental, health and safety standards

Installations

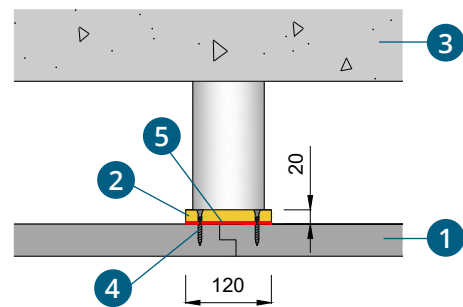


Glue GEOCOL® + screw

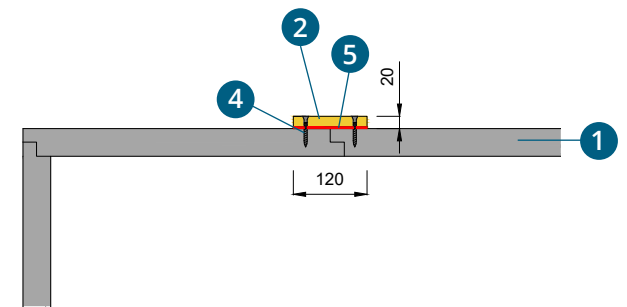
Applications

- Reinforcement of the upper boards of smoke and ventilation ducts and enclosures (fire protection services).

EI 30 - 60 (S) / EI 90 - 120 (S)
30 to 120 minutes fire-resistant



Cover strips used to reinforce the upper board of horizontal ducts



Cover strips used to reinforce large vertical ducts

- 1 GEOTEC® duct
- 2 GEOTEC® A cover strip
- 3 Concrete slab
- 4 Wood screw VBA Ø 5
- 5 GEOCOL® glue

Dimensions

Thickness (mm)	EI* (mm)	Length (ml)	Width (mm)
20	60 to 120	1	120

*E = Flame and hot gas tightness
I = Thermal insulation*

The data in this table are average values, given for information only. If certain properties are essential for some particular application, we should preferably be consulted.

Transport and storage

Transport and store on a flat, protected surface (out of water).

Classification and tests

✓ Certified according to the fire resistance test standards:

EN 1366-1

EN 1366-5

EN 1366-8

✓ Certified according to the fire resistance classification standards:

EN 13501-2

EN 13501-3

EN 13501-4

Technical documents available

Environmental and health declaration form being renewed

Items codes

Reference	Water repellent	Name	Packaging	Gross weight / pallet
CJT0001	CJTH001	Cover strip 20 mm - 120 Ht x 1,00 ml	400 Units/Pallet	880 kg

 GEOTEC® range

Geostaff has collected the data in this sheet with all due care and reserves the right to modify the properties of the products without prior notice. The user of these data will be responsible at all times for their correct application. In case of uncertainty or doubt, we advise you to contact Geostaff in order to verify if these data correspond to the required application.

Cover strips GEOTEC® A

FIRE RESISTANT ACCESSORIES



www.geostaff.fr/en