



Half shell GEOTEC® A GEOFLAM® A

FIRE RESISTANT ACCESSORIES



Ventilation



Smoke extraction



Fire protection services



Fire-protection up to 3 hours



Silicate-free plaster-based product

FIRE-RESISTANT ACCESSORIES

GEOTEC® A half-shells are pre-moulded elements, mainly composed of plaster and fibreglass. They are designed to protect the metal rods of GEOTEC® and GEOFLAM® horizontal ducts, EI 30 to 180 (30 min. to 3 hrs. firewall).

Advantages

- ✓ Silicate-free product
- ✓ Possible application of water-based acrylic paint
- ✓ Easy cutting with a circular saw, sabre saw or handsaw
- ✓ Possible application of a water-repellent treatment that does not modify the fire resistance performance
- ✓ Meets environmental, health and safety standards

Installations

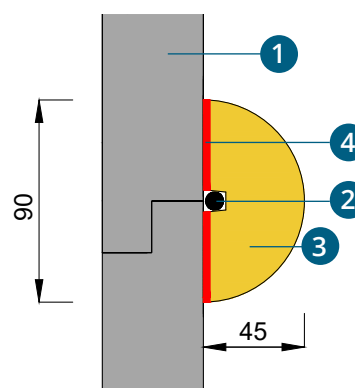


Glue GEOCOL®

Applications

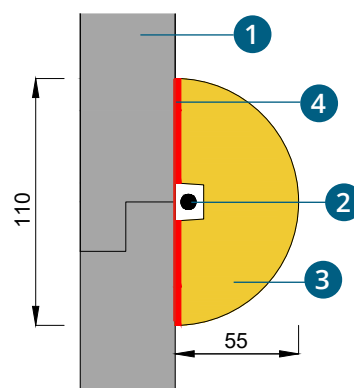
- Protection of threaded rods for :
 - Ventilation and smoke extraction ducts (horizontal ducts)
 - Enclosures (various pipes, gas pipes, medical fluids, etc.)
 - Protection of cable trays

EI 30 - 60 (S) / EI 90 - 120 (S)
30 min to 2 hrs fire-resistant



- 1 GEOTEC® or GEOFLAM® board
- 2 Threaded rod Ø 8 ou Ø 10
- 3 Half shell GEOTEC®A
- 4 GEOCOL® glue

EI 180 (S)
3 hrs fire-resistant



- 1 GEOFLAM® board
- 2 Threaded rod Ø 8 ou Ø 10
- 3 Half shell GEOTEC®A
- 4 GEOCOL® glue

Dimensions

EI (min)	Length (m)	Dimensions (h x l) (mm)
30 à 120	1	90
180		110

E = Flame and hot gas tightness

I = Thermal insulation

The data in this table are average values, given for information only. If certain properties are essential for some particular application, we should preferably be consulted.

Transport and storage

Transport and store on a flat, protected surface (out of water).

Classification and tests

✓ Certified according to the fire resistance test standards:

EN 1366-1

EN 1366-5

EN 1366-8

✓ Certified according to the fire resistance classification standards:

EN 13501-2

EN 13501-3




EN 13501-4

Technical documents available

Technical data sheet

Environmental and health declaration form being renewed

Items codes

Reference	Water repellent	Name	Packaging	Gross weight / pallet
DCP0002	DCPH002	Half shell EI 120 (2 hrs.) Ø 90 - 1,00 meter 	275 Units/pallet	895 kg
DCP0004	No	Half shell EI 180 (3 hrs.) Ø 130 - 1,00 meter 	120 Units/pallet	790 kg
DCP0005	No	Half shell EI 110 (3 hrs.) Ø 130 - 1,00 meter 	In progress	In progress

 GEOTEC® range

 GEOFLAM® range

Geostaff has collected the data in this sheet with all due care and reserves the right to modify the properties of the products without prior notice. The user of these data will be responsible at all times for their correct application. In case of uncertainty or doubt, we advise you to contact Geostaff in order to verify if these data correspond to the required application.

Half shell
GEOTEC® A
GEOFLAM® A

FIRE RESISTANT ACCESSORIES



www.geostaff.fr/en