



Reinforcement collar GEOTEC® A GEOFLAM® A

FIRE RESISTANT ACCESSORIES



Ventilation



Smoke extraction



Fire protection services



Fire-protection up to 2 hours



Silicate-free plaster-based product

FIRE-RESISTANT ACCESSORIES

The reinforcement collars are mainly made of plaster and fibreglass. They are especially designed for the load bearing of vertical ducts and enclosures. They can also be applied as internal reinforcement of horizontal and vertical ducts if required.

Advantages

- ✓ Silicate-free product
- ✓ Possible application of water-based acrylic paint
- ✓ Easy cutting with a circular saw, sabre saw or handsaw
- ✓ Possible application of a water-repellent treatment that does not modify the fire resistance performance
- ✓ Meets environmental, health and safety standards

Installations



GEOCOL® glue + screw



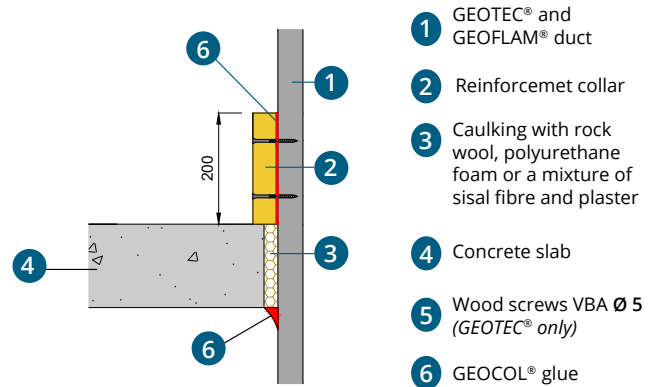
Mixture of GEOPLÂTRE® N and sisal fiber

Applications

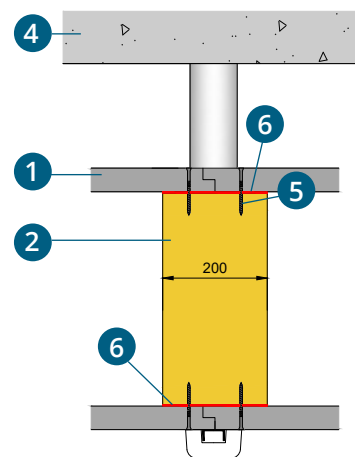
- Load carrying capacity of GEOTEC® and GEOFLAM® vertical ducts and services protection
- Internal reinforcement of GEOTEC® horizontal ventilation and smoke extraction ducts.

EI 30 - 60 (S) / EI 90 - 120 (S) 30 to 120 minutes fire-resistant

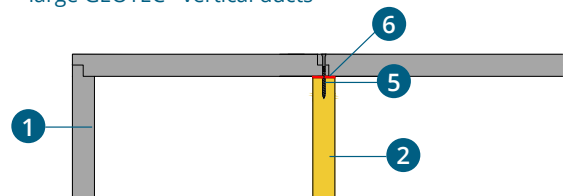
Reinforcement collar used for load bearing of GEOTEC® and GEOFLAM® vertical ducts



Reinforcement collar used as internal reinforcement for GEOTEC® horizontal ducts



Reinforcement collar used as internal reinforcement for large GEOTEC® vertical ducts



Dimensions				
Duct thickness (mm)	Collar thickness (mm)	EI (mm)	Lenght (ml)	Height (mm)
30		60	1	200
35		120		
45		120		

E = Flame and hot gas tightness
I = Thermal insulation

The data in this table are average values, given for information only. If certain properties are essential for some particular application, we should preferably be consulted.

Transport and storage

Transport and store on a flat, protected surface (out of water).

Classification and tests

✓ Certified according to the fire resistance test standards:




EN 1366-1
 EN 1366-5
 EN 1366-8

✓ Certified according to the fire resistance classification standards:

EN 13501-2
 EN 13501-3
 EN 13501-4

Technical documents available

- Technical data sheet
- Environmental and health declaration form being renewed

Items codes				
Reference	Water repellent	Name	Packaging	Gross weight / pallet
TAL0002	TALH002	Reinforcement collar 30 mm - 0,20 x 1,00 m 	150 Units/Pallet	810 kg
TAL0006	No	Reinforcement collar 35 mm - 0,20 x 1,00 m 	150 Units/Pallet	1245 kg
TAL0004	TALH004	Reinforcement collar 45 mm - 0,20 x 1,00 m 	125 Units/Pallet	1090 kg

 GEOTEC® range  GEOFLAM® range

Geostaff has collected the data in this sheet with all due care and reserves the right to modify the properties of the products without prior notice. The user of these data will be responsible at all times for their correct application. In case of uncertainty or doubt, we advise you to contact Geostaff in order to verify if these data correspond to the required application.

Reinforcement collar GEOTEC® A
GEOFLAM® A

FIRE RESISTANT ACCESSORIES



www.geostaff.fr/en