



# Vertical inspection hatch 1 hr (EI60) or 2 hrs (EI120)

FIRE RATED INSPECTION HATCHES



EI 60 : thickness 30 mm  
EI 120 : thickness 50 mm



**Fire protection**  
1 hr (EI60) and 2 hrs (EI120)

## FIRE RATED INSPECTION HATCH

The inspection hatch consists of two frames (1 fixed and 1 opening) made of aluminium profiles and completed with plasterboard.

The two frames of the inspection hatch consist of four aluminium profiles rigidly connected to each other by means of a special welding.

An intumescent seal is fitted around the edges of the sash and the fixed frame.

The door is equipped with two locking devices (cable + snap hook).

For safety reasons, these devices must always be hooked in before closing the door panel. Invisible spring catches allow the door to be opened and closed by simply pressing the door.

### Installations

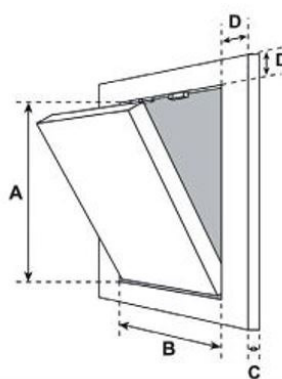


**Glue + fiber reinforced gypsum**

Geostaff vertical inspection hatches must be installed vertically in order to access the technical ducts (PV n° 12-A-119 Rév.1 + Extensions 15/2 and 15/3).

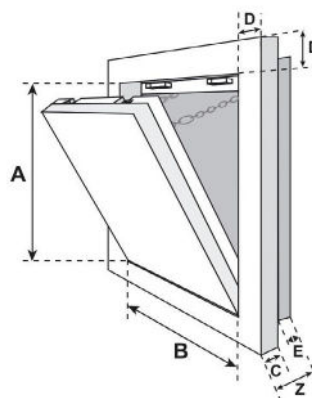
### Applications

- Installation in the protection of technical ducts
- Our fire doors can be mounted on our GEOTEC® and GEOFLAM® products



#### EI 60

**A x B** = 200 x 200 mm to 1500 x 1000 mm  
**C** = 30 mm  
**D** = 55 mm  
**Total thickness** = 45 mm



#### EI 120

**A x B** = 200 x 200 mm to 1500 x 1000 mm  
**C** = 50 mm  
**D** = 55 mm  
**E** = 30 mm  
**Z** = 80 mm

**A** = Opening frame height  
**B** = Opening frame width  
**A x B** = Hatch cross-section and free passage  
**C** = Frame thickness  
**D** = Frame width  
**E** = Thickness of the counter frame  
**Z** = Total thickness of the hatch

### Available locks

#### EI 60

Square key lock  
Cylinder lock  
Deadbolt lock

#### EI 120

Cylinder lock

Dimensions				
EI (min)	Reference	Free passage (A x B)	Overall dimension (A x B)	Weight (Kg)
60	200 x 200	200 x 200	315 x 315	5,4
	300 x 300	300 x 300	415 x 415	9,0
	400 x 400	400 x 400	515 x 515	13,4
	500 x 500	500 x 500	615 x 615	18,6
	600 x 600	600 x 600	715 x 715	24,6
	700 x 700	700 x 700	815 x 815	31,5
	800 x 800	800 x 800	915 x 915	39,1
	900 x 900 *	900 x 900	1015 x 1015	47,4
120	1000 x 1000 *	1000 x 1000	1115 x 1115	56,8
	200 x 200	150 x 150	315 x 315	5,7
	300 x 300	250 x 250	415 x 415	9,1
	400 x 400	350 x 350	515 x 515	12,7
	500 x 500	450 x 450	615 x 615	17,2
	600 x 600	550 x 550	715 x 715	22,5
	700 x 700	650 x 650	815 x 815	28,6
	800 x 800	750 x 750	915 x 915	39,9
900 x 900 *	850 x 850	1015 x 1015	48,5	
1000 x 1000 *	950 x 950	1115 x 1115	57,8	

E = Flame and hot gas tightness - I = Thermal insulation

The data contained in this table are average values, given as an indication only. If certain properties are essential for a particular application, it is best to consult us.

900 x 900 \* and 1000 x 1000 \* mm : only available on request

## Transport and storage

Transport and store on a flat, protected surface (out of water).

## Classification and tests

✓ The hatches are certified according to the fire resistance test standards:  
EN 1634-1

✓ Any direction of fire

✓ EFECTIS classification document : 12-A-119 rev.1 + Ext. 15/2 (for EI 60 fire rated inspection hatch)

✓ EFECTIS classification document : 12-A-119 rev.1 + Ext. 15/3 (for EI 120 fire rated inspection hatch)

## Technical documents available

Technical data sheet

Items codes		
Reference	Name	Packaging
<b>EI 60 : thickness 45 mm</b>		
TCF0010	EI 60 Vertical inspection hatch 200 x 200 mm	Unit
TCF0011	EI 60 Vertical inspection hatch 300 x 300 mm	Unit
TCF0012	EI 60 Vertical inspection hatch 400 x 400 mm	Unit
TCF0013	EI 60 Vertical inspection hatch 500 x 500 mm	Unit
TCF0014	EI 60 Vertical inspection hatch 600 x 600 mm	Unit
TCF0015	EI 60 Vertical inspection hatch 700 x 700 mm	Unit
TCF0016	EI 60 Vertical inspection hatch 800 x 800 mm	Unit
<b>EI 120 : thickness 80 mm</b>		
TCF0001	EI 120 Vertical inspection hatch 200 x 200 mm	Unit
TCF0002	EI 120 Vertical inspection hatch 300 x 300 mm	Unit
TCF0003	EI 120 Vertical inspection hatch 400 x 400 mm	Unit
TCF0004	EI 120 Vertical inspection hatch 500 x 500 mm	Unit
TCF0005	EI 120 Vertical inspection hatch 600 x 600 mm	Unit
TCF0006	EI 120 Vertical inspection hatch 700 x 700 mm	Unit
TCF0007	EI 120 Vertical inspection hatch 800 x 800 mm	Unit

# Vertical inspection hatch

FIRE RATED INSPECTION HATCH



[www.geostaff.fr/en](http://www.geostaff.fr/en)

Geostaff has collected the data in this sheet with all due care and reserves the right to modify the properties of the products without prior notice. The user of these data shall at all times be responsible for their correct application. In case of uncertainty or doubt, it is advisable to contact Geostaff in order to check whether these data correspond to the required application.